

DVS 32012

Application

BMJ-Marine DVS 32012 filters are suited for use in sea-water and freshwater for protecting diverse vessel components.

Types

DVS 32012 are produced in accordance with DVS (Danish Shipyard Standard). Filters are manufactured with both straight flow (Type 1) and right-left flow (Type 2 and 3).



Materials

Filter housing is made from

- untreated steel
- hot galvanised steel
- steel (epoxy inside, primer outside)
- aluminium

Zinc anodes can be mounted for maximum protection against corrosion, thus enhancing the durability.

Strainer is made from

- untreated steel
- hot galvanised steel
- epoxy treated steel
- stainless steel AISI 304
- acid-proof stainless steel AISI 316

Strainer hole diameter

Filters are produced in accordance with the standard with various hole diameters: Ø3 mm, Ø4 mm, Ø5 mm, Ø6 mm, Ø8 mm and Ø10 mm.

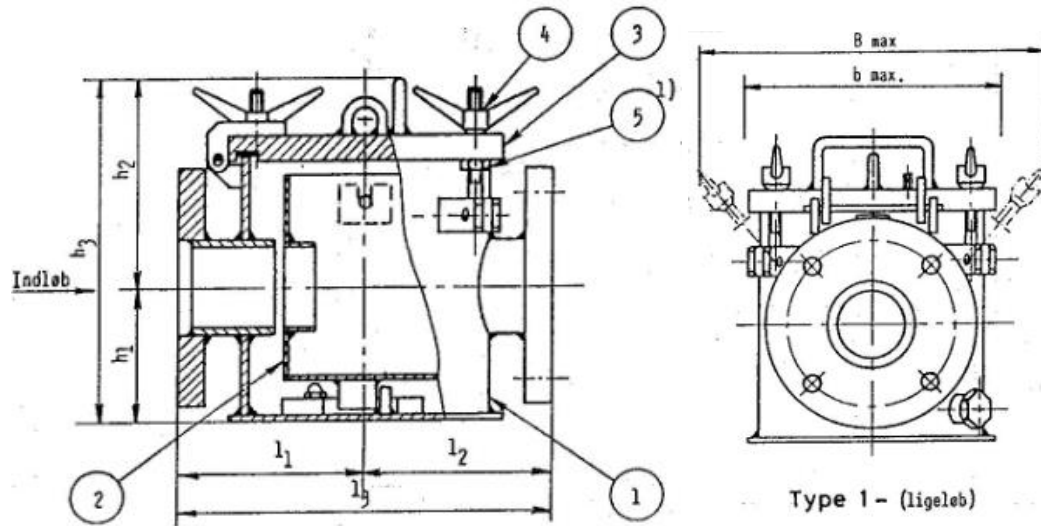
Additional specifications

Working pressure (max): 2,5 bar
Testing pressure: 5 bar
Diff. Pressure (clean filter): 0,1 bar
Max. working T: 90°C
Flange connection: EN 1092-1

Cover fastening

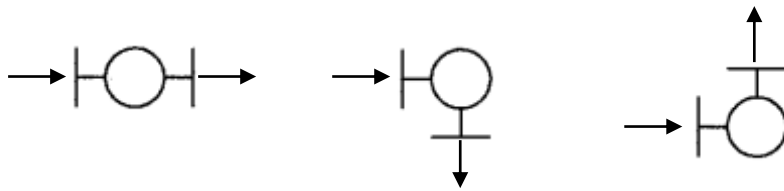
Bronze ring bolt and wing nut

Customized filters are also produced in accordance with customers' specific needs.



1 – filter housing 2 – strainer 3 – cover 4 – fitting 5 - nut

Type DN	B _{max} , mm	b _{max} , mm	h ₁ , mm	h ₂ , mm	h ₃ , mm	l ₁ , mm	l ₂ , mm	l ₃ , mm	No. of fittings	Weight, kg
50	335	188	114	172	286	155	155	310	2	21
65	360	214	124	182	306	170	170	340	2	25
80	385	238	134	192	326	195	195	390	2	31
100	395	246	142	200	342	210	210	420	4	38
125	430	306	152	210	362	235	235	470	4	49
150	475	356	169	225	394	255	255	510	4	75
200	600	438	186	242	428	320	320	640	4	104
250	675	566	216	270	486	425	380	805	6	150
300	755	646	245	297	542	465	415	880	6	-
350	820	715	258	325	583	500	445	945	6	-
400	900	744	290	375	665	560	500	1060	8	-
450	990	828	315	380	695	610	550	1160	8	-



Types

1

2

3

Straight flow

Right flow

Left flow

Type DN	Capacity at 2 m/s flow, m ³ /h	Weight (steel housing and strainer), kg	Weight (aluminum housing, steel strainer), kg
32	7	18	8
40	10	20	9
50	14	21	10
65	24	25	11
80	34	31	14
100	60	38	17
125	96	48	22
150	137	74	33
200	240	104	47
250	383	148	67
300	544	192	86
350	650	256	115
400	855	332	149
450	1080	440	198
600		890	