

DVS 32013

Application

BMJ-Marine DVS 32013 filters are suited for use in sea-water and freshwater for protecting diverse vessel components.

Types

DVS 32013 are produced in accordance with DVS (Danish Shipyard Standard). Bottom intake is a standard solution for DVS 32013.



Materials

Filter housing is made from

- untreated steel
- hot galvanised steel
- steel (epoxy inside, primer outside)
- aluminium

Zinc anodes can be mounted for maximum protection against corrosion, thus enhancing the durability.

Strainer is made from

- untreated steel
- hot galvanised steel
- epoxy treated steel
- stainless steel AISI 304
- acid-proof stainless steel AISI 316

Strainer hole diameter

Filters are produced in accordance with the standard with various hole diameters: Ø3 mm, Ø4 mm, Ø5 mm, Ø6 mm, Ø8 mm and Ø10 mm.

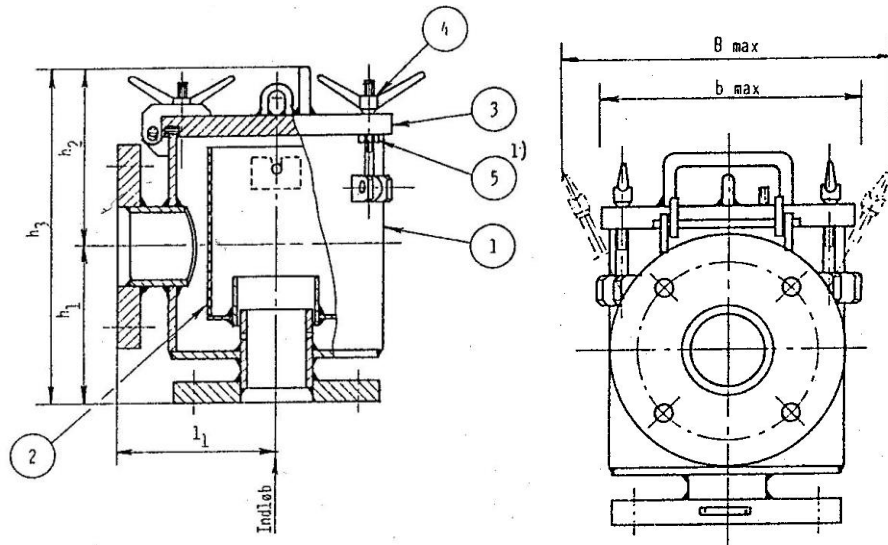
Additional specifications

Working pressure (max): 2,5 bar
Testing pressure: 5 bar
Diff. Pressure (clean filter): 0,1 bar
Max. working T: 90°C
Flange connection: EN 1092-1

Cover fastening

Bronze ring bolt and wing nut

Customized filters are also produced in accordance with customers' specific needs.



1 – filter housing 2 – strainer 3 – cover 4 – fitting 5 - nut

Type DN	B _{max} , mm	b _{max} , mm	h ₁ , mm	h ₂ , mm	h ₃ , mm	l ₁ , mm	No. of fittings	Weight, kg
50	335	188	200	172	372	155	2	20
65	360	214	210	182	392	170	2	24
80	385	238	225	192	417	195	2	30
100	395	246	240	200	440	210	4	36.5
125	430	306	255	210	465	235	4	47.5
150	475	356	275	225	500	255	4	73.5
200	600	438	295	242	537	320	4	102
250	675	566	330	270	600	380	6	146

Type DN	Capacity at 2 m/s flow, m ³ /h	Weight (steel housing and strainer), kg	Weight (aluminum housing, steel strainer), kg
32	7	18	8
40	10	20	9
50	14	21	10
65	24	25	11
80	34	31	14
100	60	38	17
125	96	48	22
150	137	74	33
200	240	104	47
250	383	148	67
300	544	192	86
350	650	256	115
400	855	332	149
450	1080	440	198
600		890	